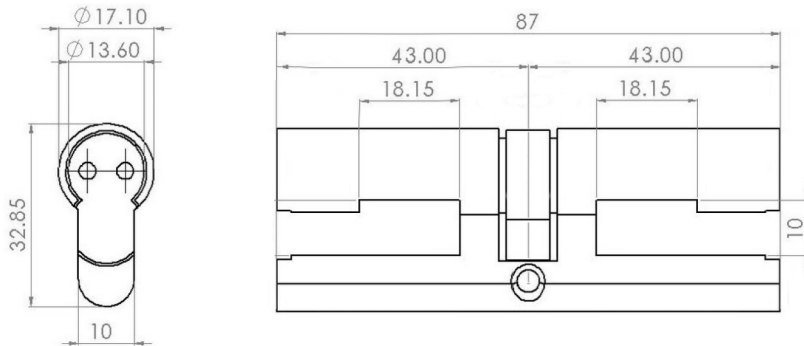


EXD "SFIC" (Small Format Interchangeable Core) Cylinder



SFIC EXD cylinder Technical Specification:

- Part No: EXD
- Material: Brass
- Style: Euro Profile
- Height (total): 32.85mm
- Length (total): 87mm
- Configuration: 43/43
- Width (total): 17.10mm
- Width (lower): 10mm
- Core width: 13.60mm
- Thumb Turn style: