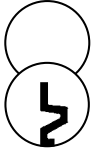


Product Data Sheet

725 Series

*IC Core: Small Format
Door & Drawer Locks*



For ARROW
interchangeable core
cylinders



725MD-DR-RH
Mortise, Deadbolt,
Right-hand



725ML-DW-IH
Mortise, Latchbolt,
Inverted-hand



725RD-DR-LH
Rim, Deadbolt,
Left-hand



725RL-DW-VH
Rim, Latchbolt,
Vertical-hand

*725 Series lock
bodies accept Arrow
style small format
interchangeable
cores (core not
included)*



Includes plastic actuator to
operate lock without core

725 Series Features:

1. Surface or mortise mount
2. Latch or deadbolt
3. Door (Right-hand or Left-hand)
4. Drawer (Vertical or Inverted)
5. Includes matching strike plate

725RSL - Enclosure Lock

For use in NEMA (traffic light) metal enclosures



725RSL-VH
Rim Square Latch,
Vertical-hand

This lock also available in
RH or LH door function.

725 Series

IC Core: Small Format Door & Drawer Locks



725 Series Door & Drawer Locks

Body: Zinc die cast cylinder housing, stamped steel back plate and steel case

725RD/RL/MD/ML Testing: Passed ANSI/BHMA A156.11 Grade 1 testing

Barrel diameter: 1-1/8"

Max. material thickness: 1-1/16"

Compatibility: Retrofits Best 5L Series

Finish: US26 (polished chrome), US26D (satin chrome), US3 (bright brass), US4 (satin brass)

Cylinder: not included, accepts standard small format format IC cores as manufactured by Arrow or other compatible small format IC core manufacturers.

Keying: n/a

Includes:

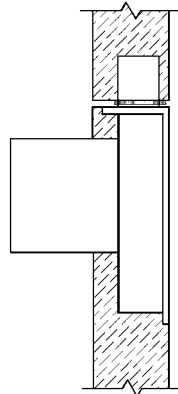
- 725-PA plastic actuator
- 725-1 spacer for 6 pin cores
- 725-SP series matching strike plate

Available Separately:

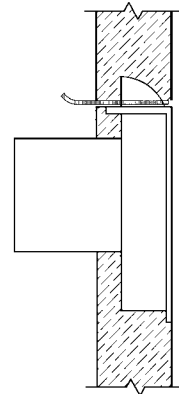
- WP725 internal plastic spacer, 1/8" thickness
- 206/207 SFIC cores

Additional Functions

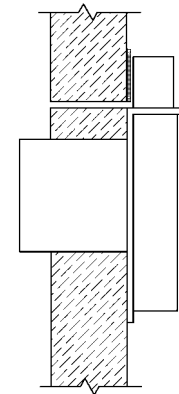
- 725ML/725RL - reverse latch available for DW-VH and DW-IH functions - use reverse latch for in-swinging door applications
- 725MD/725RD - key retaining function available for DW-VH applications



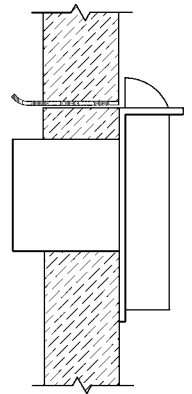
**Mortise Deadbolt
725MD**



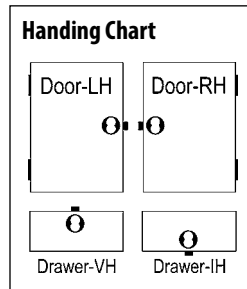
**Mortise Latch
725ML**



**Rim Deadbolt
725RD**



**Rim Latch
725RL**

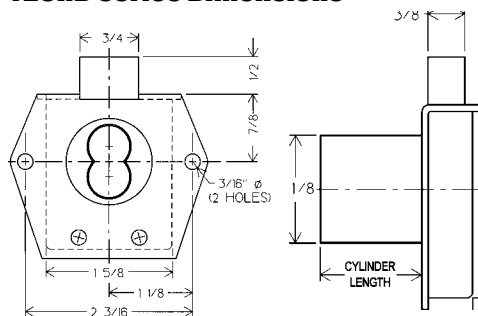


**WP725 internal plastic spacer,
1/8" thickness**



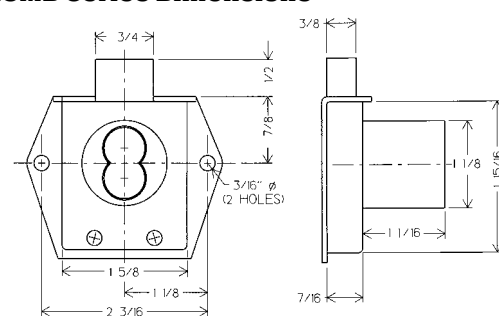
SFIC core

725RD Series Dimensions



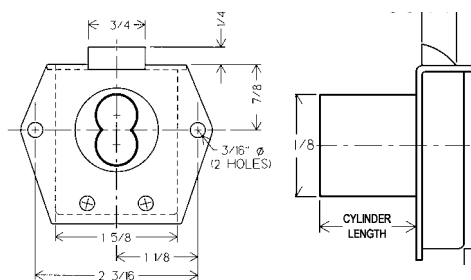
Dimensions the same for all handings

725MD Series Dimensions



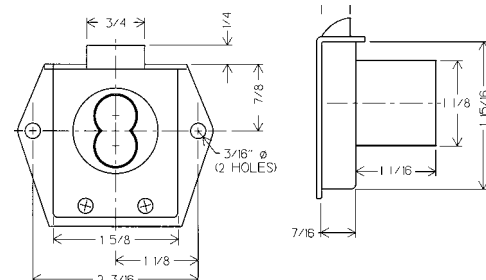
Dimensions the same for all handings

725RL Series Dimensions



Dimensions the same for all handings

725ML Series Dimensions



Dimensions the same for all handings