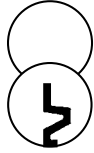


Product

Data Sheet

720 Series

*IC Core: Small Format
Cam Lock*

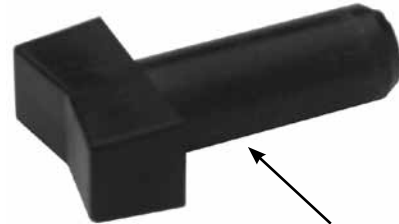


For ARROW
interchangeable core
cylinders

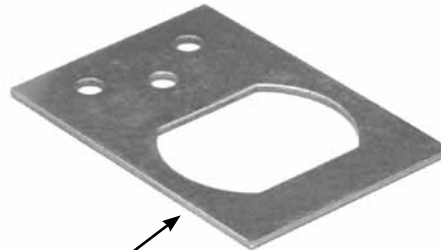
Cam Lock



Accepts Arrow-style small
format interchangeable core
(core not included)



Includes plastic actuator
to functionally test lock
without core



720-PL3 Stablizer plate -
keeps lock from rotating
in hole, traps fixing nut

*Includes all parts necessary to
lock up, down, right or left and in
key-retaining or non-key retaining
function.*



Rainer Security Products Ltd

Unit B6, Rudford Industrial Estate,
Ford, Arundel, West Sussex BN18 0BF

+44 (0) 1903 732211 ✉ sales@rainersecurity.co.uk

www.rainersecurity.co.uk

720 Series

IC Core: Small Format Cam Lock



720LM/DM Series Cam Lock

Testing: Passed ANSI/BHMA A156.11, Grade 1 testing
Body: Zinc die cast
Body diameter: 1-1/8"
Mounting cutout: 1-5/32"
Max. material thickness: 1-1/8"
Min. material thickness: 0.08"
Across flats: 7/8"
Finish: US26D (satin chrome), US3 (bright brass)
Cylinder: not included, accepts standard small format IC cores as manufactured by Arrow or other compatible small format IC manufacturers
Keying: n/a

720B Series Cam Lock

Testing: Passed ANSI/BHMA A156.11, Grade 1 testing
Body: Machined solid brass
Finish: 26D only
 All other specifications same as 720LM/DM

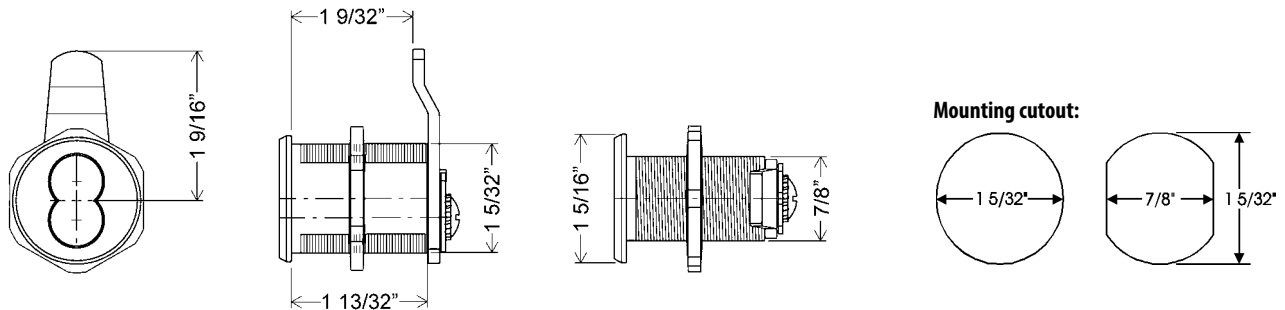
Includes

- Plastic actuator
- 720-PL3 stabilizer plate
- 720-3-1 short inverted cam
- 720-3-2 long vertical cam
- 720-CDLM lost motion cam shifter
- 720-CDDM key-retaining door cam shifter
- 720-KR key-retaining drawer cam shifter

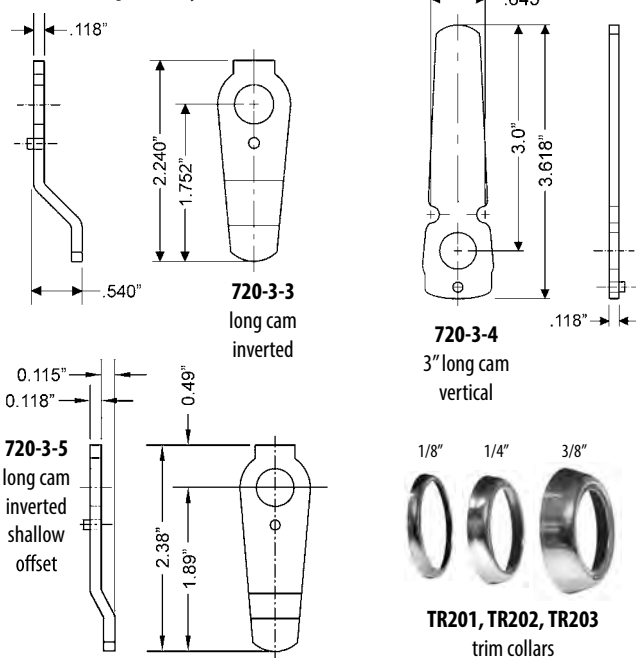
Available Separately

- 720-3-3 long offset cam for inverted function
- 720-3-4 extra long 3" straight vertical cam
- 720-3-5 long shallow offset cam for inverted function
- TR201 trim collar 1/8"
- TR202 trim collar 1/4"
- TR203 trim collar 3/8"
- TR200A trim collar package (contains TR201, TR202, and TR203)

720LM/DM & 720B Series Dimensions



Available separately:



Ships standard with the following cams and cam shifters:

